

# theRonda S360-100 AP BK

Item no.: 2080552

**theben**

Presence and motion detectors  
Indoor detectors

## Description

- Passive infra-red presence detector for ceiling installation
- Circular detection area 360°, up to Ø 8 m (50 m²) at mounting height 3 m
- 1 channel light (Relay, 230 V)
- Automatic motion and brightness-dependent control for lighting
- Mixed light measurement suitable for fluorescent lamps (FL/PL/ESL), halogen/incandescent lamps and LEDs
- Operation as fully automatic device
- Brightness switching value configurable, teach-in function
- Pulse function for staircase light time switch
- Time delay configurable
- Detection sensitivity configurable
- Test mode for checking function and detection area
- Ready for immediate use due to factory presetting (Brightness switching value 300 lux, Time delay 10 min.)
- One of these optional remote controls is required for changing the values and attitudes:
  - Management remote control SendaPro
  - Installation remote control theSenda P
  - Optional user remote control: theSenda S



## Technical data

theRonda S360-100 AP BK		theRonda S360-100 AP BK	
Operating voltage	230 V AC	Installation height	2 – 4 m
Frequency	50 Hz	Minimum height	> 1,7 m

Subject to technical changes and misprints

additional information at: [www.theben.de/product/2080552](http://www.theben.de/product/2080552)

The load data are determined with exemplary selected illuminants and are therefore typical data due to the large number of available products.

# theRonda S360-100 AP BK

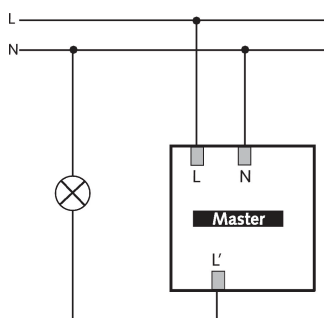
Item no.: 2080552

**theben**

## Technical data

theRonda S360-100 AP BK		theRonda S360-100 AP BK	
Installation type	Surface mounted	LED lamp < 2 W	25 W
Colour	Black	LED lamp 2-8 W	250 W
Switching output	Light	LED lamp > 8 W	250 W
Light measurement	Mixed light measurement	Type of connection	Screw terminals
Setting range brightness	30 – 3000 lx	Max. cable cross section	max. 2 x 2,5 mm <sup>2</sup>
Light switch-off delay	10 s - 60 min	Size of concealed housing	Ø 55 mm (NIS, PMI)
Lamps	Incandescent/halogen lamps, fluorescent lamps, Energy saving lamps, LEDs	Detection range	50 m <sup>2</sup> (Ø 8 m   360°)
Incandescent/halogen lamp load	2300 W	Detection angle	360°
Inrush current	max. 400 A / 200 µs	Ambient temperature	-15°C ... 50°C
		Type of protection	IP 54 (when fitted)

## Connection example



## Detection range for planning applications at a temperature of 21 °C

Mounting height (A)	Sitting (S)	Diagonally (T)	Head on to (R)
2 m	5 m <sup>2</sup>   2.5 m	38 m <sup>2</sup>   7 m	
2.5 m	7 m <sup>2</sup>   3 m	38 m <sup>2</sup>   7 m	
3 m	13 m <sup>2</sup>   4 m	50 m <sup>2</sup>   8 m	
3.5 m		50 m <sup>2</sup>   8 m	
4 m		64 m <sup>2</sup>   9 m	13 m <sup>2</sup>   4 m

Subject to technical changes and misprints

additional information at: [www.theben.de/product/2080552](http://www.theben.de/product/2080552)

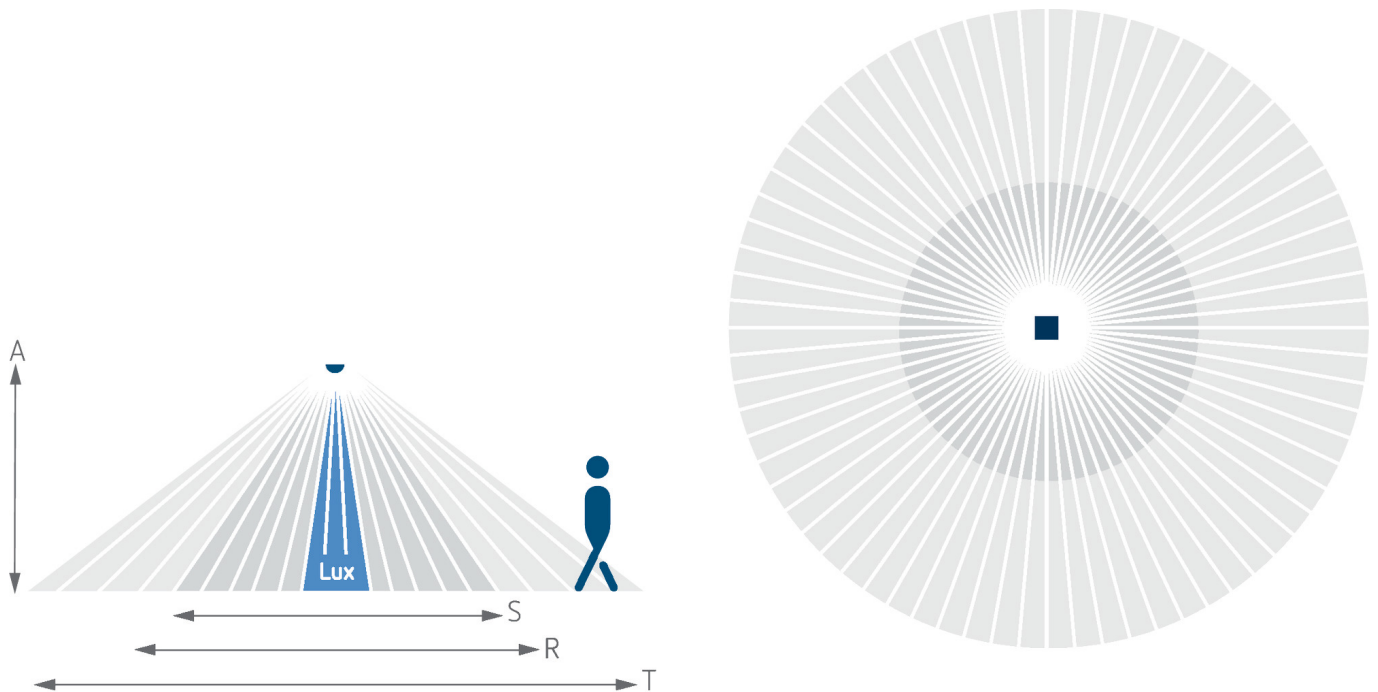
The load data are determined with exemplary selected illuminants and are therefore typical data due to the large number of available products.

# theRonda S360-100 AP BK

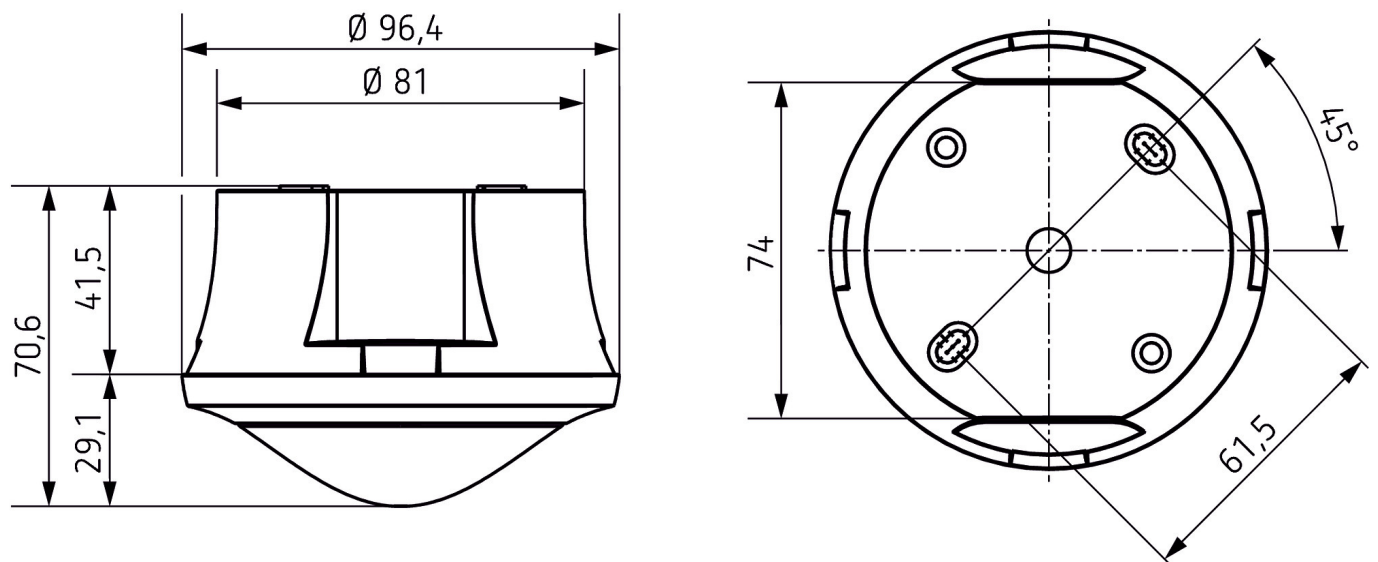
Item no.: 2080552



Detection range for planning applications at a temperature of 21 °C



## Scale drawings



Subject to technical changes and misprints

additional information at: [www.theben.de/product/2080552](http://www.theben.de/product/2080552)

The load data are determined with exemplary selected illuminants and are therefore typical data due to the large number of available products.

# theRonda S360-100 AP BK

Item no.: 2080552



## Accessories

### theSenda P

Item no.: 9070910



### theSenda S

Item no.: 9070911



### theSenda B

Item no.: 9070985



Subject to technical changes and misprints

additional information at: [www.theben.de/product/2080552](http://www.theben.de/product/2080552)

The load data are determined with exemplary selected illuminants and are therefore typical data due to the large number of available products.